

# M2B

## 2MP Bullet IP POE Weatherproof Security Camera W/ 2.8mm Fixed Lens



### PRODUCT HIGHLIGHTS

Up to 1080P / 2MP HD Resolution

2.8mm Fixed Lens

1/2.7" Progressive CMOS Image Sensor

Field of View: 103°

Up to 30m IR range

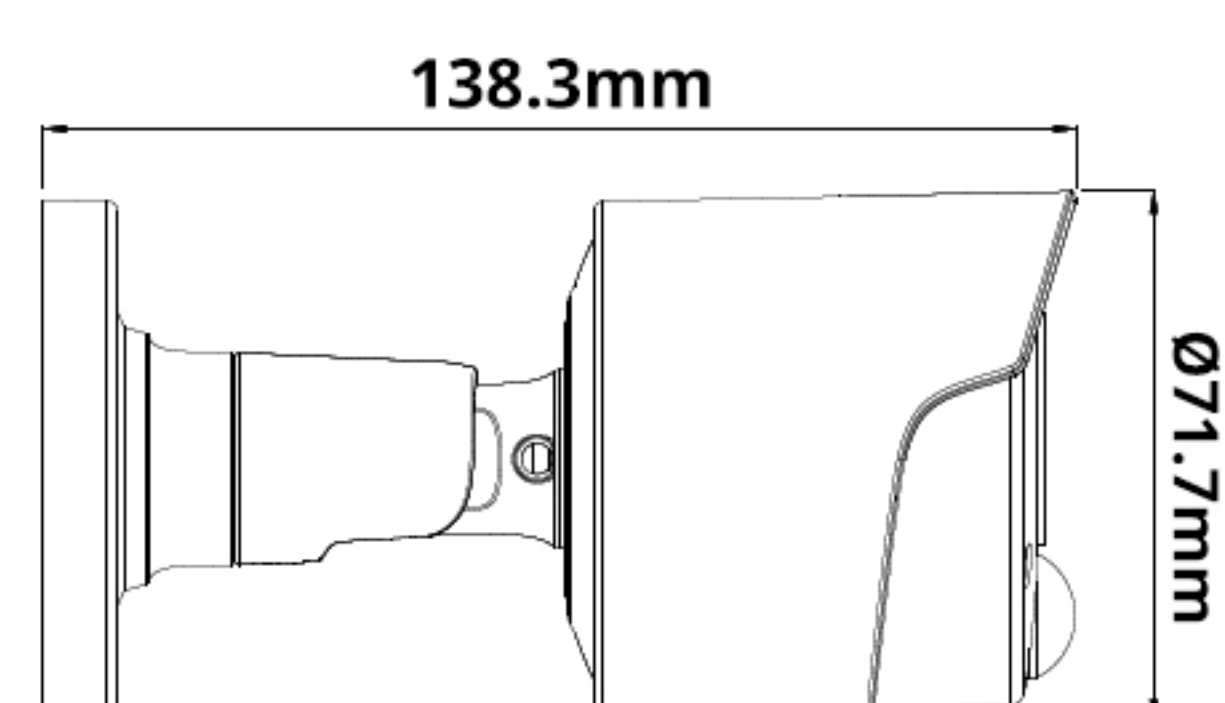
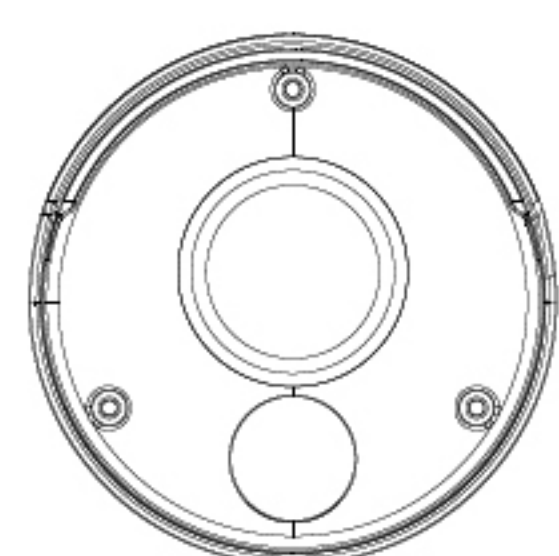
H.265 / H.264 Video Compression

IP66 Weatherproof Protection

DC12V or POE Power



### PRODUCT DIMENSIONS



### PRODUCT SPECIFICATIONS

Product Model	M2B
Highest Resolution	2MP 1920(H)×1080(V)
Image Sensor	1/2.7" Progressive CMOS
Min. Illumination	Color 0.1lux @ F1.2(AGC ON); B/W 0 lux @ IR ON
Shutter	1/5 ~ 1/20000s
Lens	2.8 mm H.FOV: 103°
WDR	Digital WDR
Video Compression	H.265 / H.264
Video Bit Rate	256Kbps ~ 8Mbps
Resolution	<b>Dual Streams Supported:</b>  <b>Main Stream (1 ~ 25 fps)</b> 1080P (1920×1080), 960P (1280×960), 720P (1280×720)  <b>Sub Stream</b> VGA (640×480), QVGA (320×240)
Image Controls	Flip mode, Saturation, Brightness, Contrast, Hue, Sharpness Adjustable
Day & Night	IR cut filter with auto switch (Day/Night/Auto/Schedule)
System Compatibility	ONVIF (v2.6)
Interface	RJ45 10M / 100M Ethernet interface
IR LED Range	Up to 30m
Weatherproof Rating	IP66
Power Supply	DC12V or POE
Consumption	≤ 7W
Dimensions	Ø71.7×138.3mm
Weight	~0.5 lbs
Operating Temperature	-22°F ~ +131°F