

M8B-3

4K Ultra HD Weatherproof IP Bullet Security Camera



PRODUCT HIGHLIGHTS

Up to 8MP (4K) Ultra HD Resolution

2.8mm Fixed Lens

1/2.3" Progressive CMOS Image Sensor

Field of View: 111°

Up to 30m IR range

H.265 / H.264 Video Compression

3-Axis Adjustment

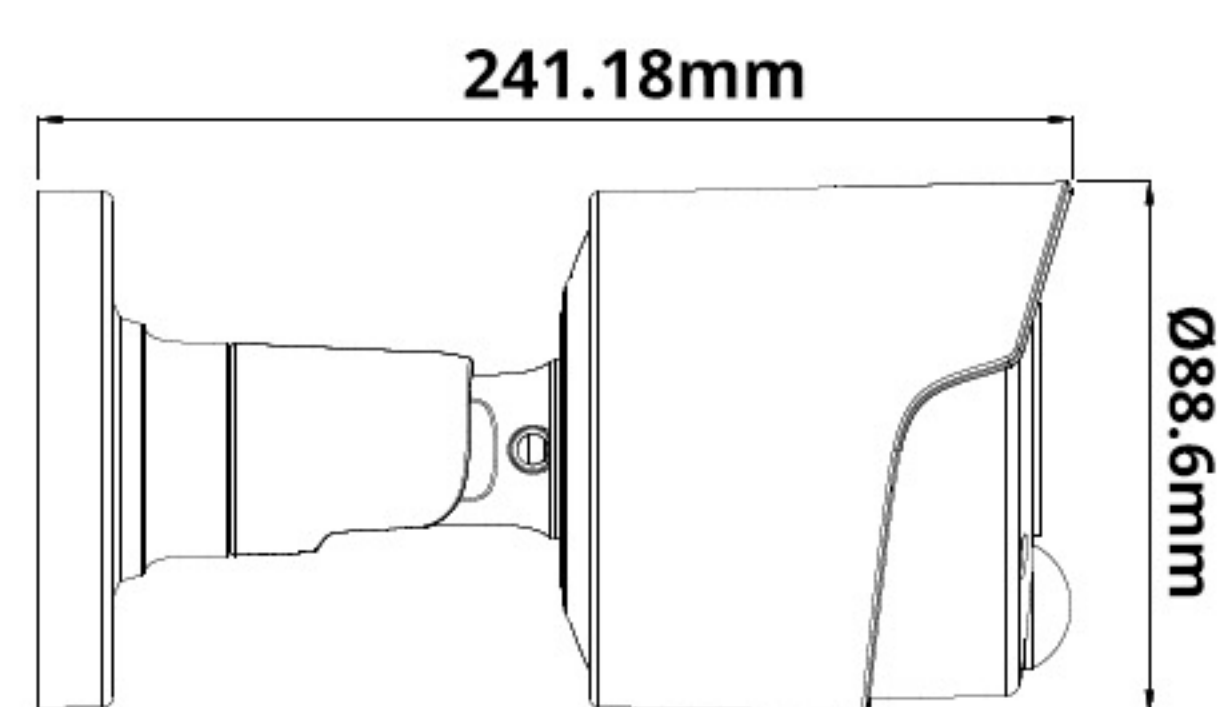
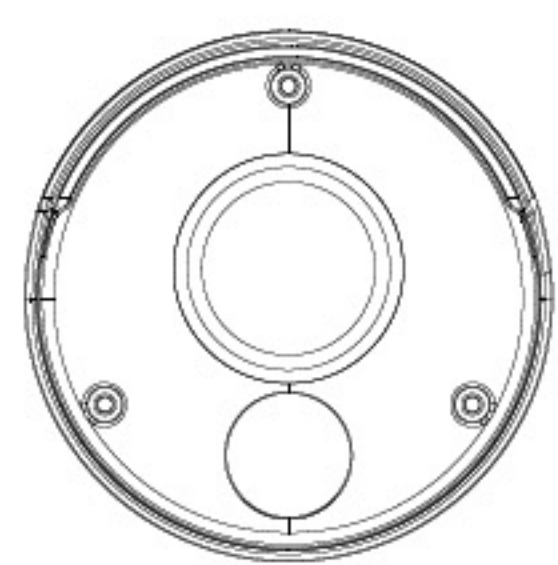
IP66 Weatherproof Protection

DC12V or POE Power

Built-in Microphone



PRODUCT DIMENSIONS



PRODUCT SPECIFICATIONS

Product Model	M8B-3
Highest Resolution	8MP (4K) 3840(H) × 2160(V)
Image Sensor	1/2.3" Progressive CMOS
Min. Illumination	Color 0.1lux @ F1.2(AGC ON); B/W 0 lux @ IR ON
Shutter	1/5 ~ 1/20000s
Lens	2.8mm H.FOV: 111°
F No.	F 2.0 ±5%
WDR	Digital WDR
Video Compression	H.265 / H.264
Video Bit Rate	8Kbps ~ 16Mbps
Resolution	Triple Streams Supported: Main Stream (1 ~ 15 fps) 8MP (3840x2160), 5MP (3072x1728), (2592x1944), 4MP (2592x1520), 3MP (2304x1296), 1080P (1920x1080), 720P (1280x720) Sub Stream (1 ~ 15 fps) 720P (1280x720), VGA (640x480), QVGA (320x240) Mobile Stream (1 ~ 15 fps) VGA (640x480), QVGA (320x240)
Image Controls	Flip, Rotation, Corridor Mode, Saturation, Brightness, Contrast, Hue, Sharpness Adjustable
Day & Night	IR cut filter with auto switch (Day/Night/Auto/Schedule)
System Compatibility	ONVIF (v2.6)
Interface	RJ45 10M / 100M Ethernet interface
IR LED Range	Up to 30m
Weatherproof Rating	IP66
Power Supply	DC12V or POE
Consumption	≤ 7W
Dimensions	Ø88.6 x 241.18mm
Weight	~0.8 lbs
Operating Temperature	-22°F ~ +131°F